

PASTORAL PIPES Hugh Robertson

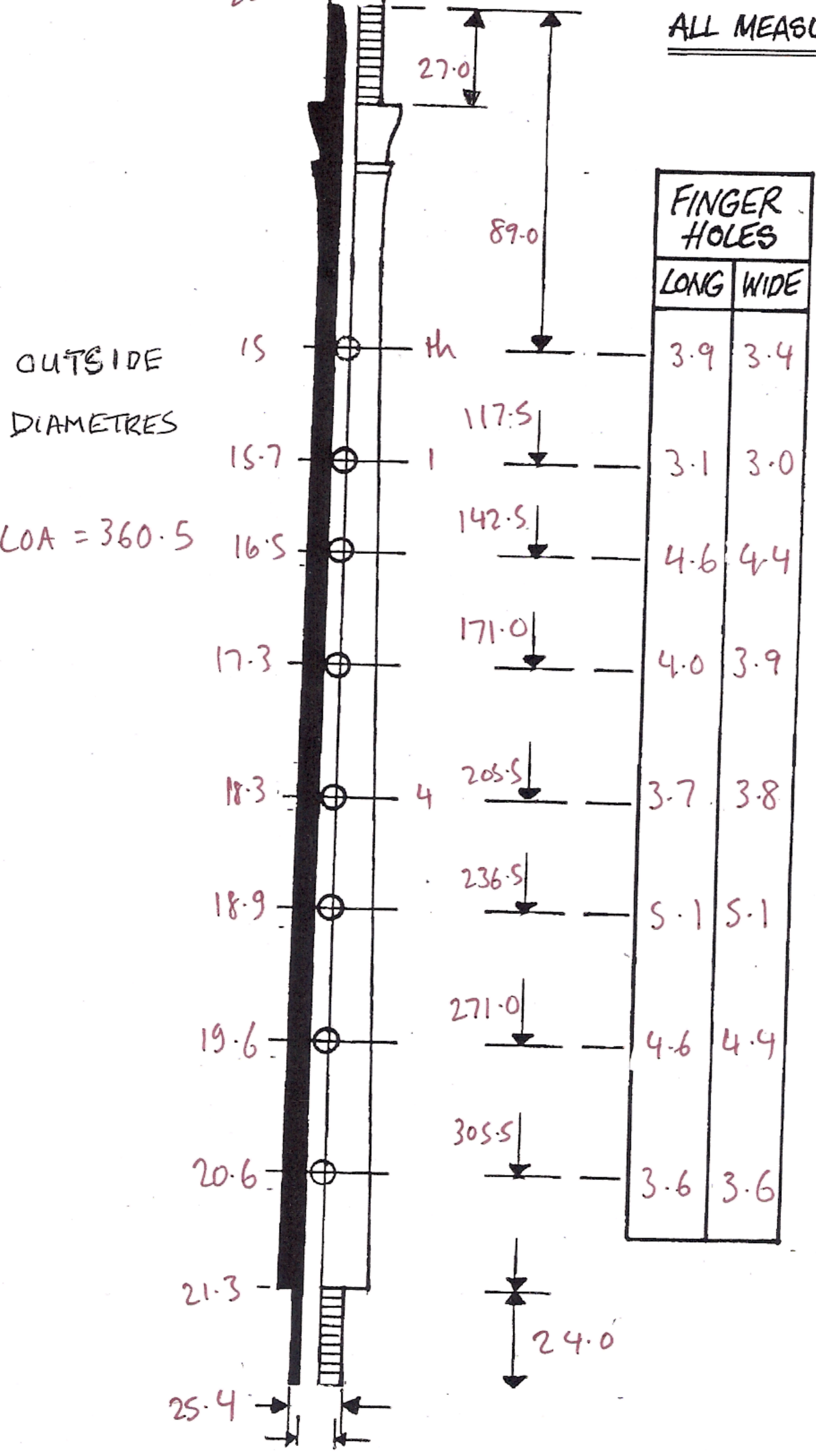
19

Measured by
D. Armitage +
F. Wood + Ross
21/6/09 Anderson

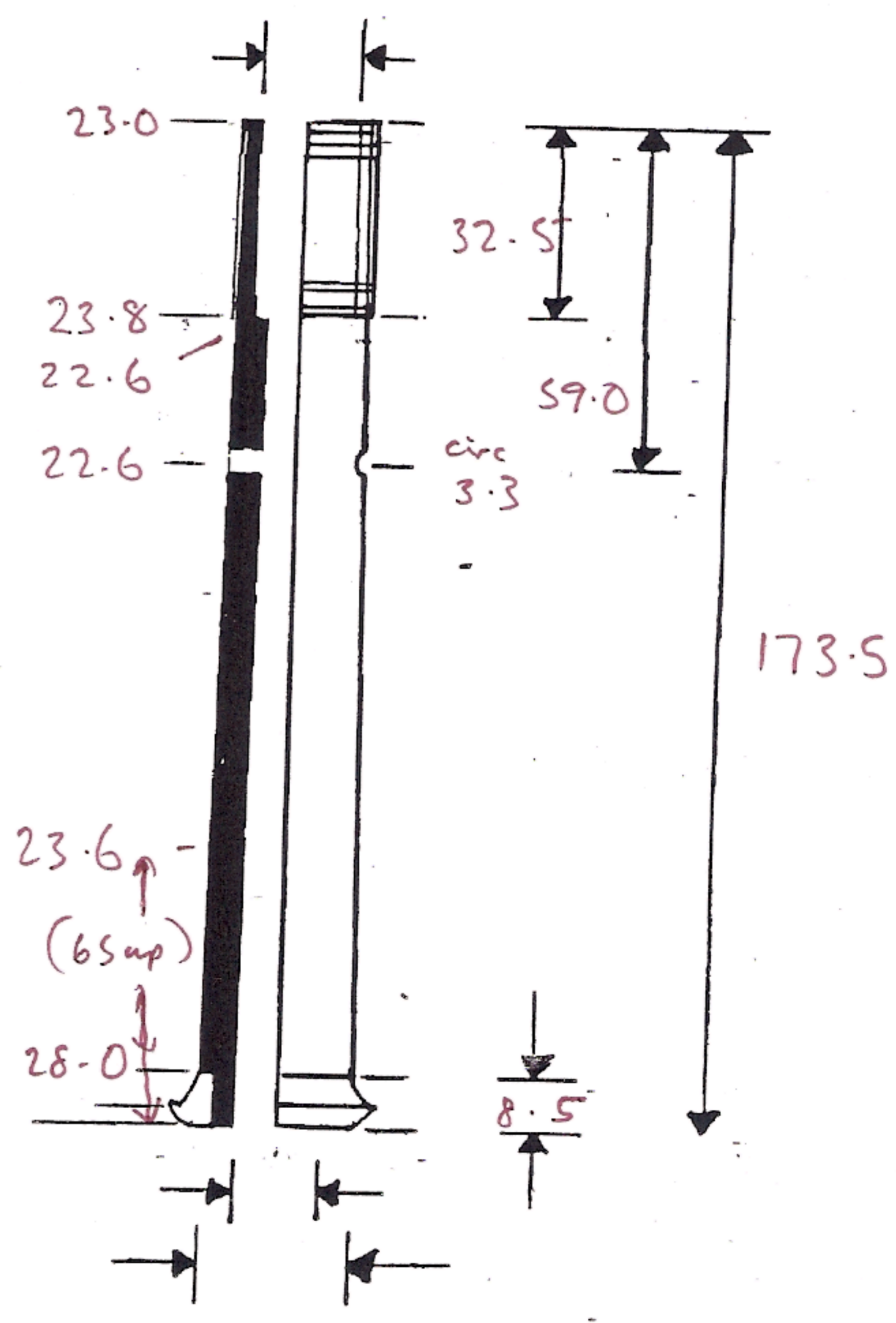
PRIMARY CHANTER

REED SEAT
TAPERS OUT
TO 25.6

ALL MEASUREMENTS IN mm. SCALE x 1/2



FOOT JOINT



FOR DETAILS OF CHANTER BORE SEE SEPARATE TABLE AND GRAPH.